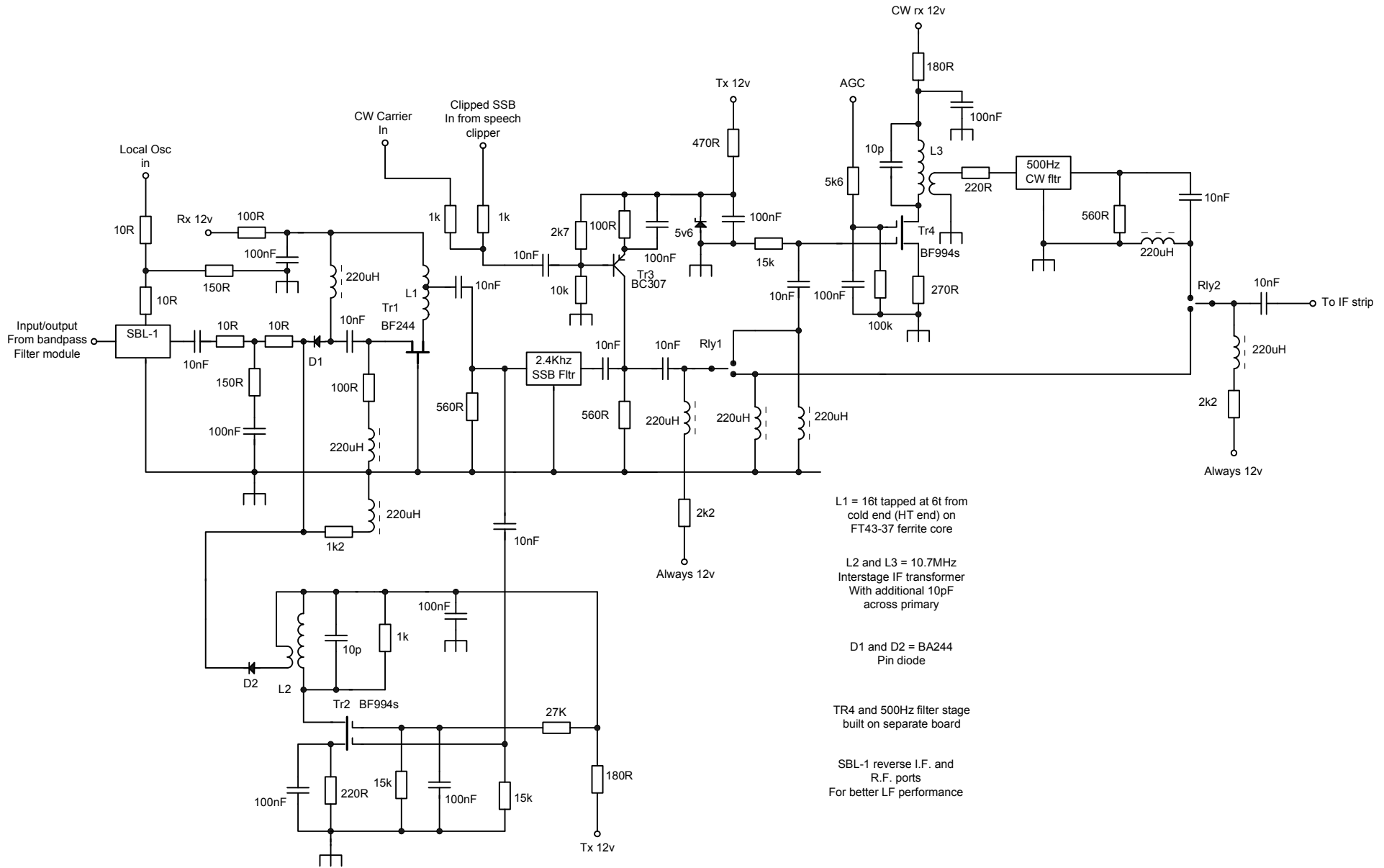


MODGQ

SSB – CW Filter board



L1 = 16t tapped at 6t from cold end (HT end) on FT43-37 ferrite core

L2 and L3 = 10.7MHz Interstage IF transformer With additional 10pF across primary

D1 and D2 = BA244 Pin diode

TR4 and 500Hz filter stage built on separate board

SBL-1 reverse I.F. and R.F. ports For better LF performance